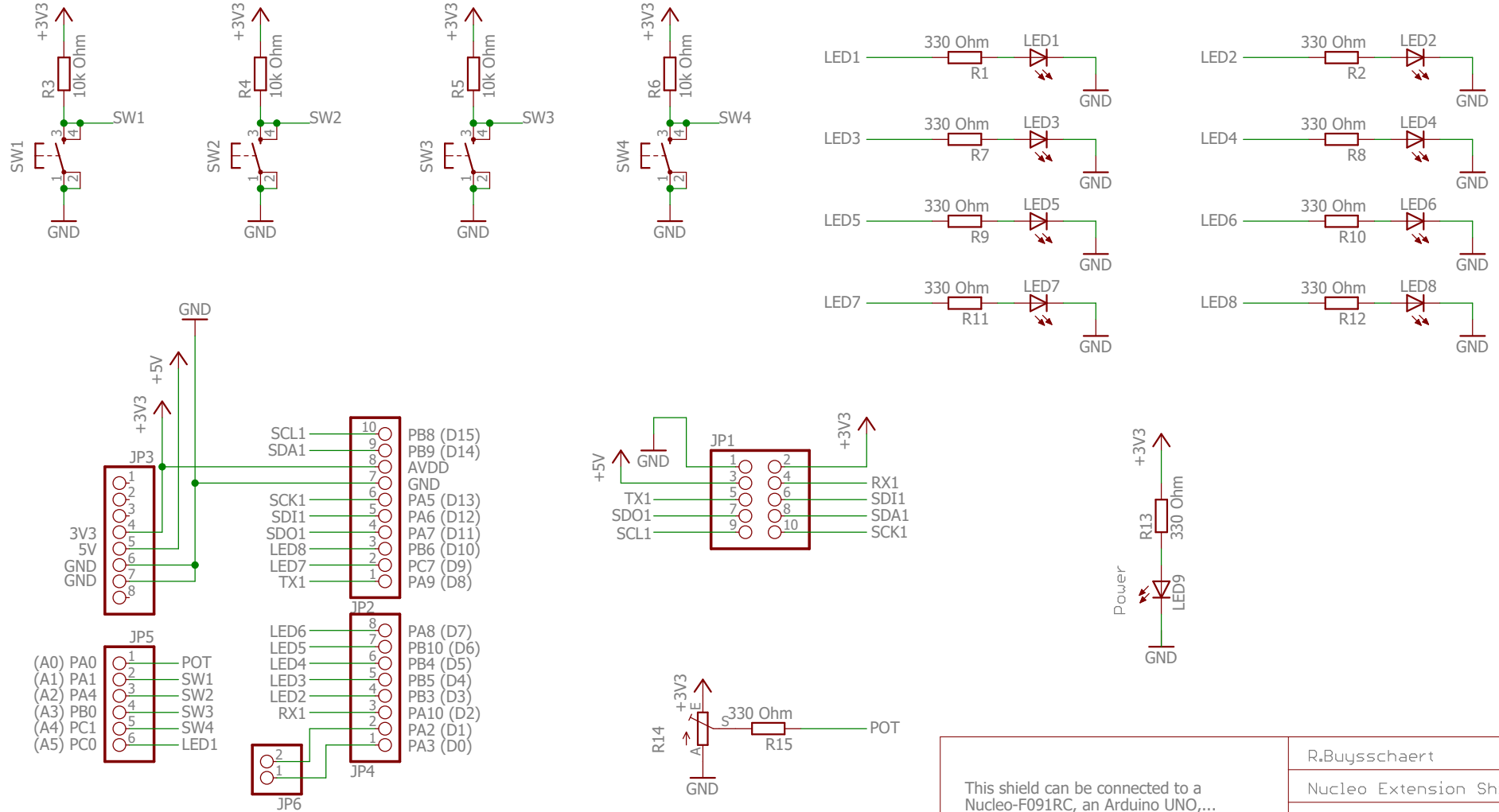


Nucleo Extension Shield V2



This shield can be connected to a Nucleo-F091RC, an Arduino UNO,...